

Flower Heart

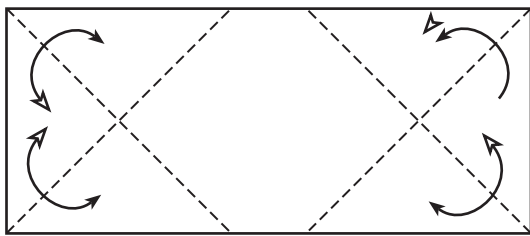
(a.k.a. A Change of Heart)

by Kathleen Weller

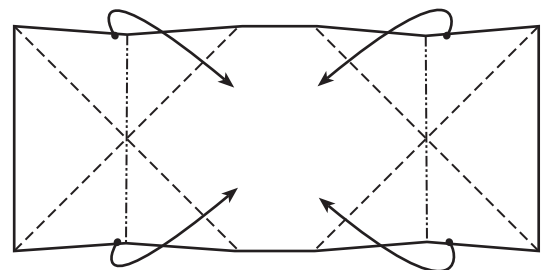
Diagrams © 1997 by Charles Knuffke

This model was first shown to me by Jerry Marciniak at the '96 SEOF meeting. Unfortunately I only saw a glimpse of the model at that time. Later, Robert Lemieux saw my posting to the Origami Mailing list asking about the model, and was kind enough to send me step models to make sure I was able to duplicate the model. Thanks Robert!

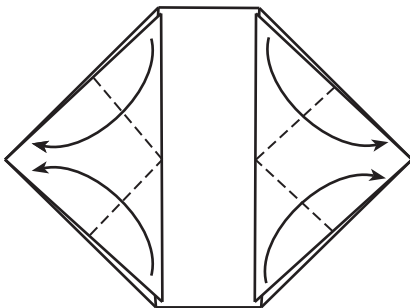
Special thanks to Rachel Katz for the inventive name "A Change of Heart"



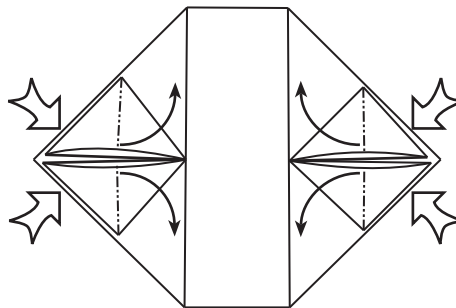
1. Starting with the Portrait side up gives a green finished model. Precrease the ends of a dollar bill as shown.



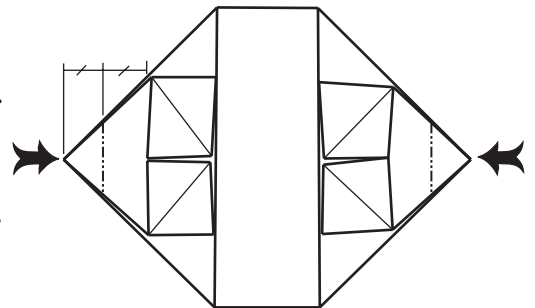
2. Fold a waterbomb base at each end of the bill.



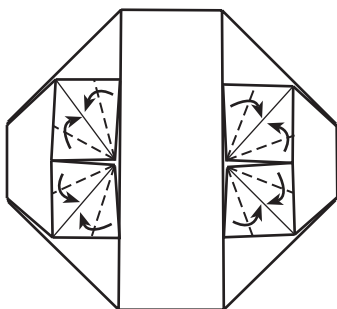
3. Valley fold top layer tips.



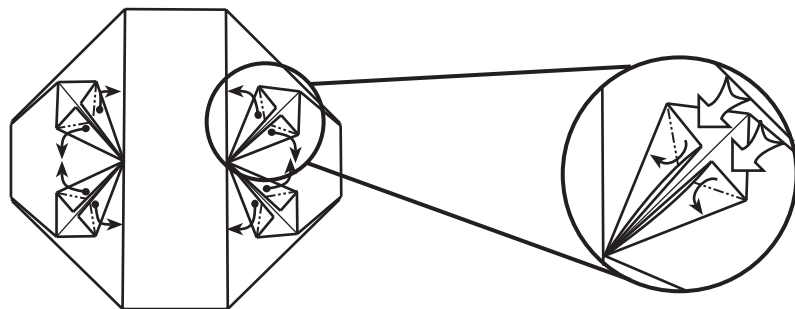
4. Squash fold tips.



5. Sink both ends.

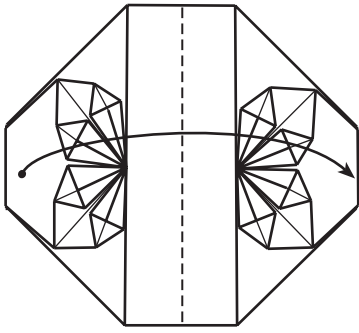


6. Valley fold the raw edges to the center lines of the 4 squares.

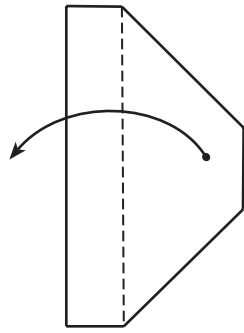


7. Squash fold the 8 triangles. Area in circle detailed in Step 8.

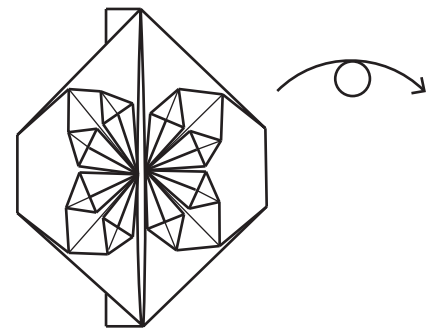
8. Squash fold detail.



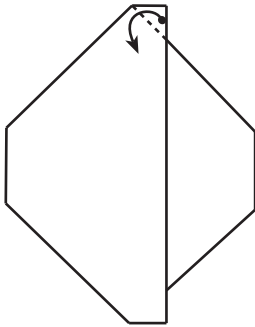
9. Fold the model in half.



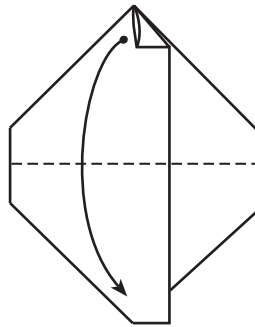
10. Valley fold the top layer as shown.



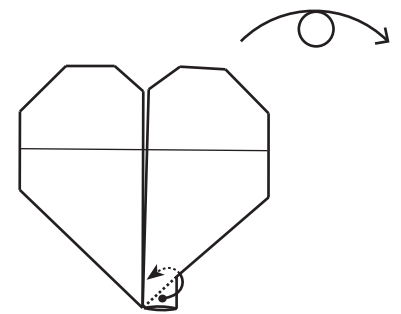
11. Model so far. Now flip it over.



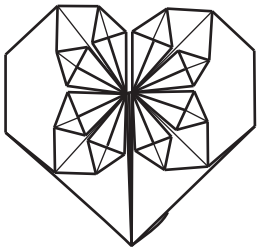
12. Valley fold the extended tip.



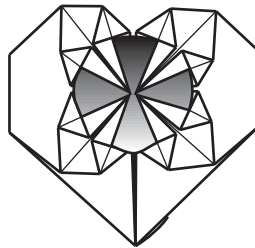
13. Fold the top part of the model down.



14. Valley fold the bottom extended over the inner flap to lock the model. Turn over.



15. All that's left is to carefully insert a quarter into the center pocket.



16. The finished model!

**Good Luck with
your completed
Charm!**